

# 52462 Series

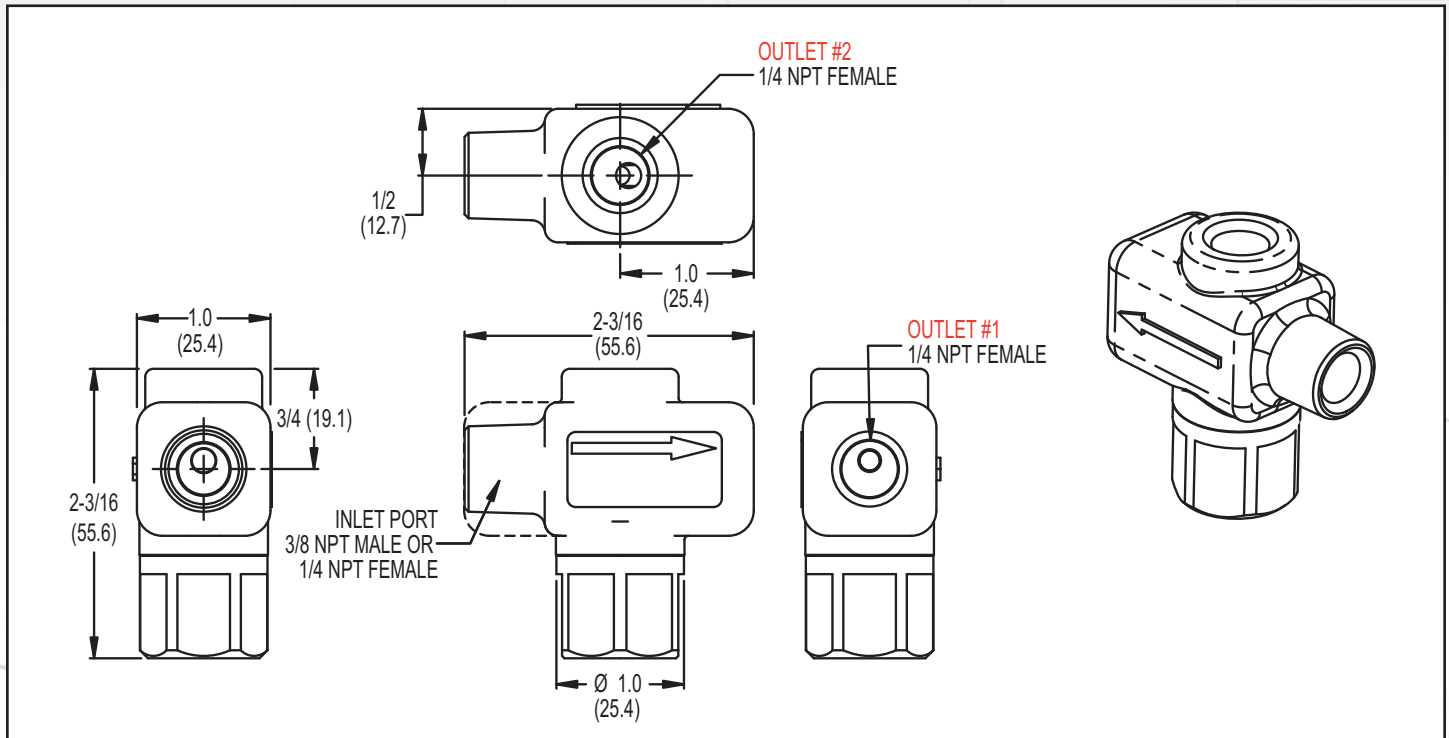
## 52462 Series

Pressure Protection Valve



- ▶ Direct Tank Mounting
- ▶ Single or Dual Outlet
- ▶ Compact Design

## Technical Drawings



## Part Numbers/Options

<b>Example</b>	<b>52462</b>	<b>M</b>	<b>1</b>	<b>R</b>	<b>65</b>
----------------	--------------	----------	----------	----------	-----------

<b>Valve Series</b>		<b>Calibration Pressure</b>			
<table border="1" style="width: 100%;"><tr><td style="text-align: center;">52462</td></tr></table>	52462		<table border="1" style="width: 100%;"><tr><td style="text-align: center;">XX</td></tr></table>	XX	Calibration Pressure in psig (5psi increments)
52462					
XX					

<b>Valve Series</b>		<b>Calibration Point (Choose one)</b>									
<table border="1" style="width: 100%;"><tr><td style="text-align: center;">M</td><td>3/8" PT Male Inlet Port</td></tr><tr><td style="text-align: center;">F</td><td>1/4" PT Female Inlet Port</td></tr></table>	M	3/8" PT Male Inlet Port	F	1/4" PT Female Inlet Port		<table border="1" style="width: 100%;"><tr><td style="text-align: center;">C</td><td>Calibrate to Cracking (opening) Pressure</td></tr><tr><td style="text-align: center;">R</td><td>Calibrate to Reseat (closing) Pressure</td></tr></table>	C	Calibrate to Cracking (opening) Pressure	R	Calibrate to Reseat (closing) Pressure	
M	3/8" PT Male Inlet Port										
F	1/4" PT Female Inlet Port										
C	Calibrate to Cracking (opening) Pressure										
R	Calibrate to Reseat (closing) Pressure										

<b>Outlet Porting</b>							
<table border="1" style="width: 100%;"><tr><td style="text-align: center;">1</td><td>One 1/4" NPT Female Outlet Port (Outlet Port #1)</td></tr><tr><td style="text-align: center;">2</td><td>Two 1/4" NPT Female Outlet Port (Outlet Ports #1 &amp; #2)</td></tr><tr><td style="text-align: center;">B</td><td>One 1/4" NPT Female Outlet Port (Outlet Port #2)</td></tr></table>	1	One 1/4" NPT Female Outlet Port (Outlet Port #1)	2	Two 1/4" NPT Female Outlet Port (Outlet Ports #1 & #2)	B	One 1/4" NPT Female Outlet Port (Outlet Port #2)	
1	One 1/4" NPT Female Outlet Port (Outlet Port #1)						
2	Two 1/4" NPT Female Outlet Port (Outlet Ports #1 & #2)						
B	One 1/4" NPT Female Outlet Port (Outlet Port #2)						

The 52462 Pressure Protection Valve (PPV) is designed to protect primary air systems when utilized with auxiliary air components. With a male threaded inlet port this PPV can be threaded directly into the air tank without the need for additional fittings. Single or dual outlet ports and factory calibration of opening or closing pressure allow our valve to be configured for your exact specifications. Its compact and lightweight design will fit into almost any air system application.

## Features

- ▶ Male inlet port for direct tank mounting, no fittings required
- ▶ Single or Dual outlet ports for system needs
- ▶ Factory calibrated and 100% tested for desired opening or closing pressure
- ▶ Compact size and lightweight to fit in any application
- ▶ Durable and corrosion resistant aluminum and engineered plastics

## Applications

- ▶ Tractor
- ▶ Trailer
- ▶ Bus
- ▶ RV



Operating Media	Air
Seal Type	Reinforced Diaphragm
Operating Pressure	145 PSI (10 bar) maximum
Operating Temperature	-40°F to +185°F (-40°C to +85°C)
Inlet Port	3/8 NPT Male or 1/4 NPT Female
Outlet Ports	1/4 NPT Female Single or Dual Outlet
Opening or Closing Pressure	Factory Calibrated as specified

Materials of Construction	Anodize Aluminum Engineered Plastics Buna-N Seals
Weight	0.17 lb (76 g)



Barksdale Air Suspension Leveling Valves are available for application on tractors, trailers, buses and RV's. The patented Shear-Seal® design provides reliable performance in a compact package.



## Global Presence

### Barksdale Inc.

3211 Fruitland Ave.  
Los Angeles, CA 90058-0843  
U.S.A.  
Phone: (866) 832-6278  
Fax: (323) 586-3067  
transportation@barksdale.com  
www.barksdale.com

### Barksdale GmbH

Dorn-Assenheimer Strasse 27  
61203 Reichelsheim, Germany  
Phone: (49) 6035-949-0 (main office)  
(49) 6035-949-204 (sales)  
Fax: (49) 6035-949-111/-113  
info@barksdale.de  
www.barksdale.de

### Barksdale China

33F Huaihai Plaza  
1045 Central Huaihai Road  
Shanghai 200P.R. China  
Phone: +86 21 6127-3000  
Fax: +86 21 6473-3298  
ChinaSales@barksdale.com  
www.barksdaleChina.com

**Barksdale**  
CONTROL PRODUCTS  
CRANE Barksdale, Inc./Barksdale GmbH  
A Subsidiary of Crane Co.