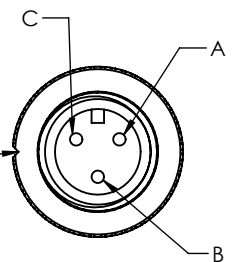
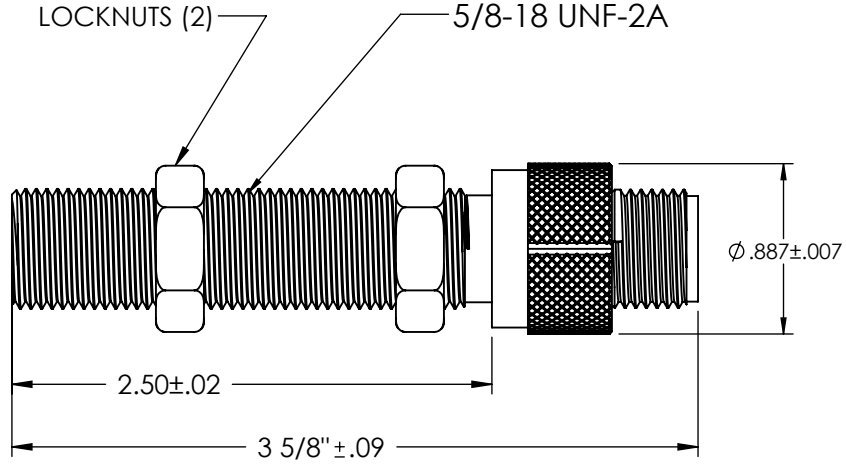
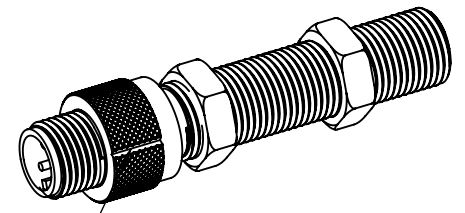


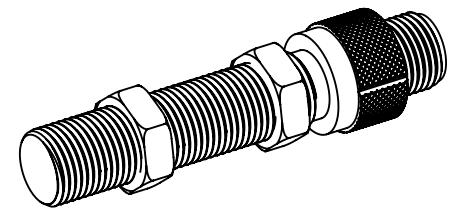
REV	ECN	REVISION RECORD	DATE	DR	CK
A	9795	INITIAL RELEASE	11/20/15	PV	JR



THIS GROOVE HAS NO RELATION TO THE CONNECTOR PINS



THIS GROOVE IS TO DIFFERENTIATE PICKUP ONLY



SPECIFICATIONS:

- POWER SUPPLY: 10 TO 32VDC.
- SUPPLY CURRENT: 30 mA MAXIMUM
- OPERATING TEMPERATURE: -30° F TO +250° F (-35°C to 125°C)
- SENSED FREQUENCY: 0 TO 20 KHZ
- OUTPUT VOLTAGE: SQUARE WAVE FANOUT TO 10 TTL INPUTS
50±15% DUTY CYCLE.
- LOGIC 0: +0.4 VDC MAX AT 15mA MAX.
- LOGIC 1: +4.0 TO 5.5 VDC WITH 2KΩ PULL UP RESISTOR.
- INSULATION RESISTANCE: 100 MΩ MIN. AT 50 VDC (COMMON TO HOUSING)
- HOUSING: 303 STAINLESS STEEL, BLIND END.
- OPERATING AIR GAP: .120" TO .150".

ELECTRICAL CONNECTIONS	
PIN A	POWER SUPPLY
PIN B	OUTPUT
PIN C	COMMON

UNLESS OTHERWISE SPECIFIED		THIRD ANGLE PROJECTION	
DIMENSIONS ARE IN INCHES DIMENSIONAL TOLERANCES: FRACTIONAL ±1/64 ANGULAR: ±1/2° XX ±0.010 XXX ±0.005		DYNALCO	
DATE: 11/20/15	MODEL: M919-3-25	DRAWN: PV	APPROVED: JR
MATERIAL:	TITLE: PICKUP, ZERO VELOCITY		
FINISH:	SIZE: A	DWG. NO. 800-0919-3-25	REV: A
DO NOT SCALE DRAWING	SCALE 1:1	WEIGHT	SHEET 1 OF 1

THIS DOCUMENT, ALL INFORMATION CONTAINED IN AND ALL INFORMATION RELATED TO, IS PROPERTY OF DYNALCO. IS CONFIDENTIAL TO IT AND NO PART THEREOF NOR ANY SUCH INFORMATION MAY BE COPIED, DISSEMINATED OR USED IN ANY MANNER WHATSOEVER WITHOUT THE PRIOR WRITTEN CONSENT OF DYNALCO AND IS TO BE RETURNED TO DYNALCO UPON REQUEST.