

### Features

- ▶ High resolution 320 x 240 color LCD, clear high contrast screen
- ▶ 7 analog, 2 digital, and 1 signal inputs
- ▶ 4 relay outputs
- ▶ Full sunlight readable with maximum brightness of 750 NIT (cd/m2)
- ▶ User configurable single and quadruple screens
- ▶ 5 soft keys provide easy, full local configuration
- ▶ Select digital values, analog gauges, or both to meet your preference
- ▶ Displays TIER 4 engine information
- ▶ Alarms provide immediate visual and audible indications
- ▶ Password protected to avoid unauthorized changes
- ▶ IP66 enclosure rating

### Applications

- ▶ CANbus Enabled Engines
- ▶ CANbus Enabled Power Generators



D-100 CANbus monitor offers J1939 compatibility for displaying engine performance parameters as well as providing over/under speed threshold protection. The D-100 can also monitor and display various types of inputs to help measure parameters such as temperature, pressure, and RPM. Plus it can send output signals to trigger controls via 4 independent relays.

### General Specifications\*

<b>Enclosure Material:</b>	ABS
<b>Enclosure Rating:</b>	IP 66 front IP 67 back
<b>Electrical Connection:</b>	Two 12-pin Deutsch DT04-12P receptacles
<b>Power Supply:</b>	10 – 30 VDC
<b>Communications:</b>	RS232, 2 CANbus 2.0B, USB2.0
<b>Inputs:</b>	
(7) Analog Inputs	Each input can be selected as: 0 to 2.5 VDC 0 to 10 VDC 0 to 1K ohms
(2) Digital Inputs	Switch contact to ground or open collector type sensor. Max frequency 50 Hz.
(1) Signal Input (Magnetic Pickup)	0 to 5000 Hz
<b>Outputs:</b>	4 relay outputs rated 0.5 A

<b>Display:</b>	3.5" Color TFT LCD, QVGA resolution 320 x 240 pixels
Viewing Angle:	Wide horizontal and vertical viewing angle
Brightness:	750 NIT Full sunlight readable
<b>Temperature Range:</b>	
Operating:	-40 to +158 °F (-40 to +70 °C)
Storage:	-40 to +176 °F (-40 to +80 °C)
<b>Displayed Data If received from the engine and transmission*</b>	Electrical, Fuel, Pressure, Temperature, Speed, Percentage, Time.  *Refer to Operations Manual for more details.
<b>Dimensions:</b>	3.3" diameter cutout 3.75" x 3.75" bezel [panel]

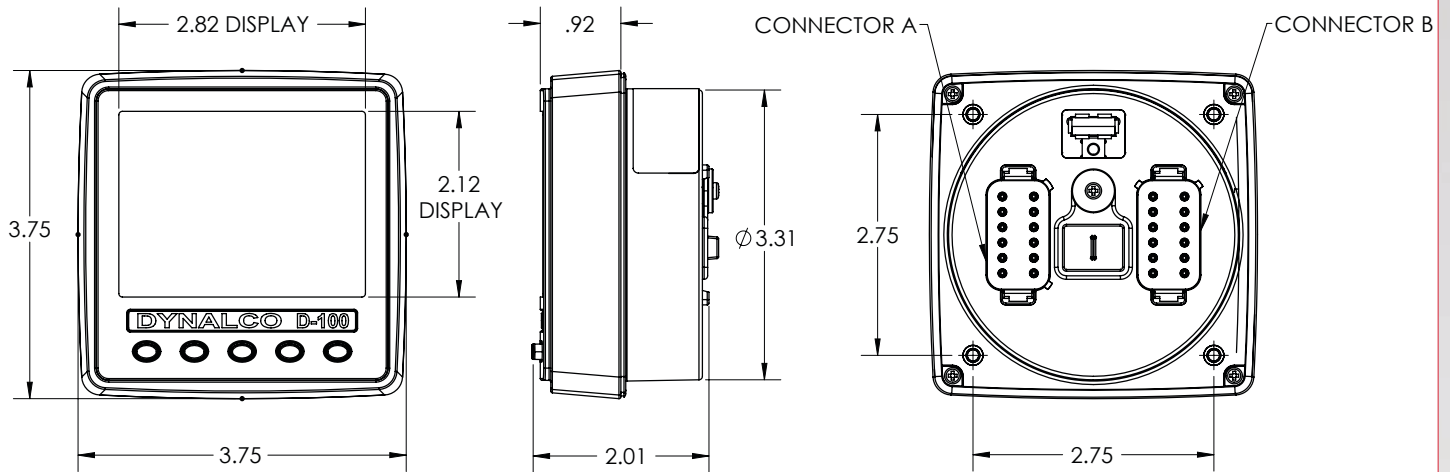
# Engine & Emission Controls

## CANbus Monitor

**D-100 Series**

### Technical Drawing

Dimensions in inch



### Pin Assignment

CONNECTOR A		
1	GND	GROUND
2	PWR	10 – 30 VDC
3	RO-1	RELAY/SOLENOID OUTPUT 1
4	RO-2	RELAY/SOLENOID OUTPUT 2
5	CAN2 (-)	ISOLATED CAN SUPPLY (-)
6	CAN2 (+)	ISOLATED CAN SUPPLY (+)
7	CAN2H	ISOLATED CAN DATA H
8	CAN2L	ISOLATED CAN DATA L
9	RO-3	RELAY/SOLENOID OUTPUT 3
10	RO-4	RELAY/SOLENOID OUTPUT 4
11	CAN1L	PRIMARY CAN DATA L
12	CAN1H	PRIMARY CAN DATA H

CONNECTOR B		
1	AI-1	ANALOG INPUT 1
2	AI-2	ANALOG INPUT 2
3	AI-3	ANALOG INPUT 3
4	AI-4	ANALOG INPUT 4
5	AI-5	ANALOG INPUT 5
6	AI-6	ANALOG INPUT 6
7	AI-7	ANALOG INPUT 7
8	DI-1	DIGITAL INPUT 1
9	DI-2	DIGITAL INPUT 2
10	SIG	SIGNAL INPUT
11	RS232RX	RS232 RECEIVE
12	RS232TX	RS232 TRANSMIT

### Order Number<sup>1</sup>

Part Number	Description
D-100	CANbus monitor with (4) M4 nylon studs, (4) thumbnuts
D-100-B	D-100 with mounting bracket
D-100-C	D-100 with cable harness assembly
D-100-B-C	D-100 with mounting bracket and cable harness assembly

### Accessories<sup>1, 2</sup>

Part Number	Description
270A-105560	Cable harness – 3 ft. length with (2) Deutsch connectors. (Also included in D-100-C & D-100-B-C)
240D-13177	Mounting bracket. (Also included in D-100-B & D-100-B-C)
D-100-KIT	Hardware kit: (4) M4 nylon studs, (4) thumbnuts. (Also included in D-100).

#### Notes

- 1: Refer to Sales Drawing and Installation and Operation Manual for more details
- 2: Accessories are included in some part numbers, and may be purchased separately.