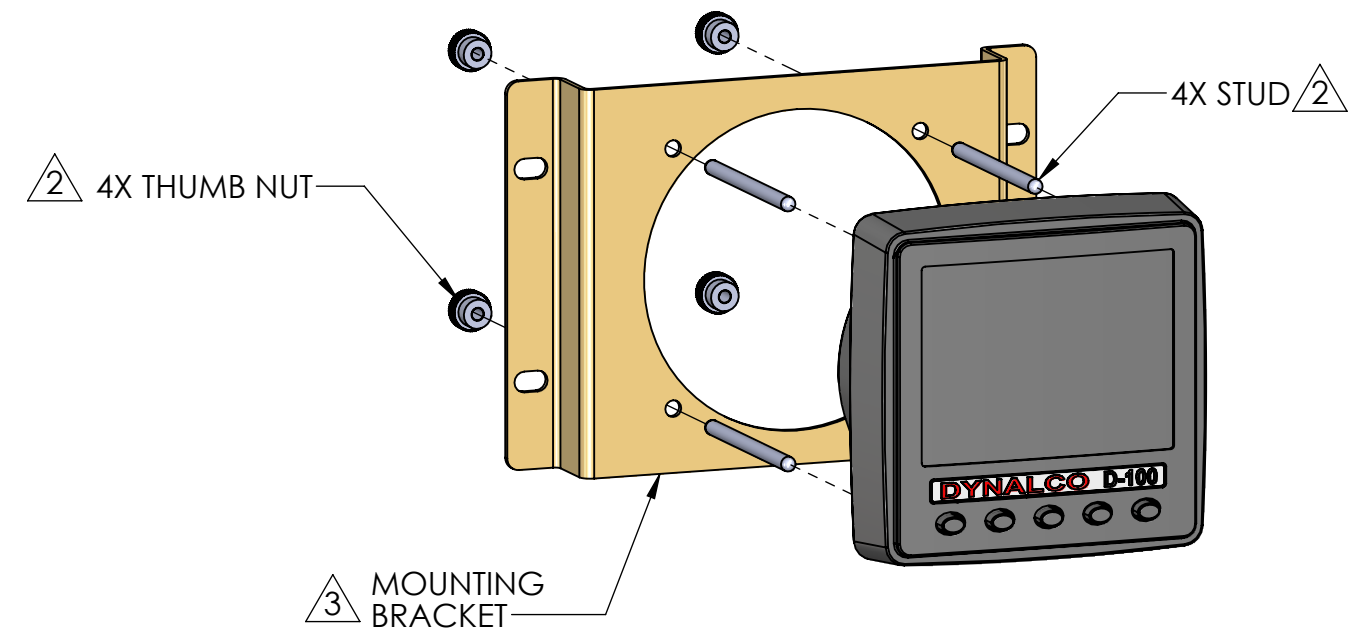
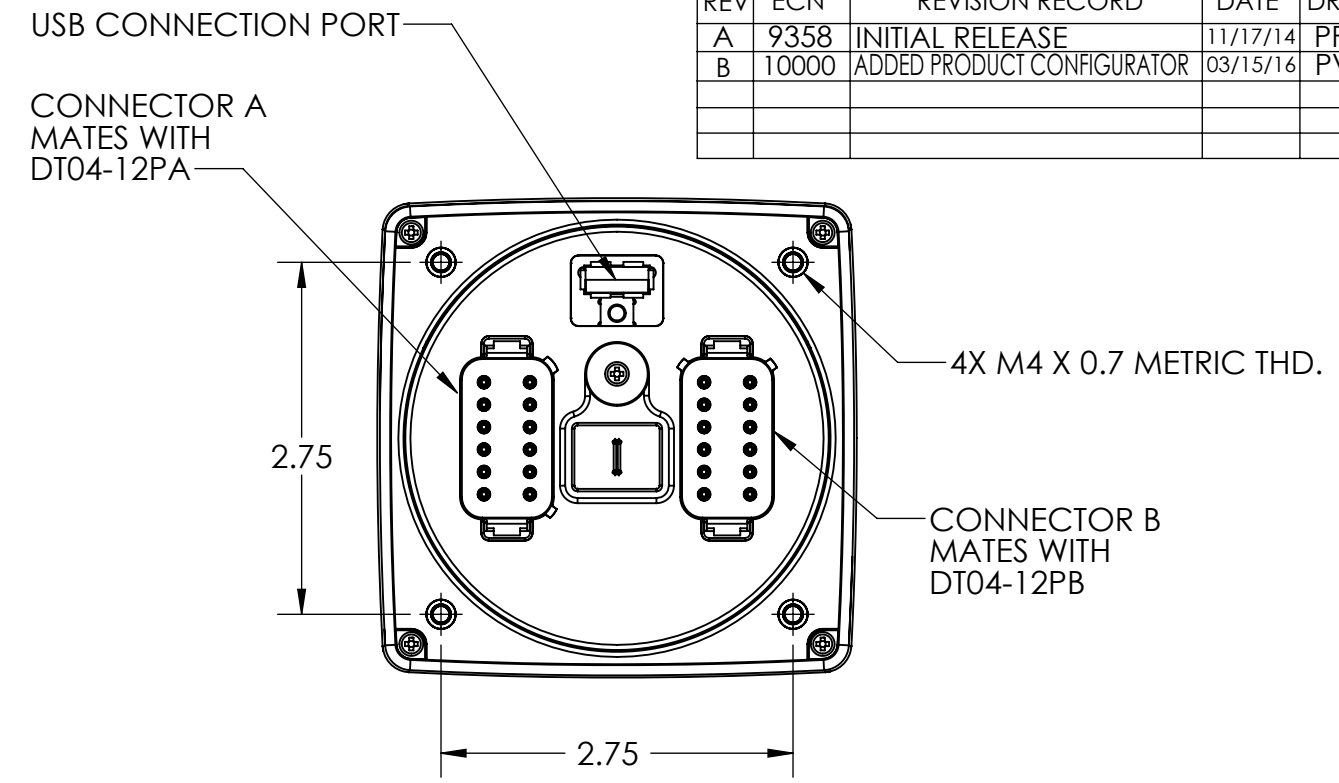
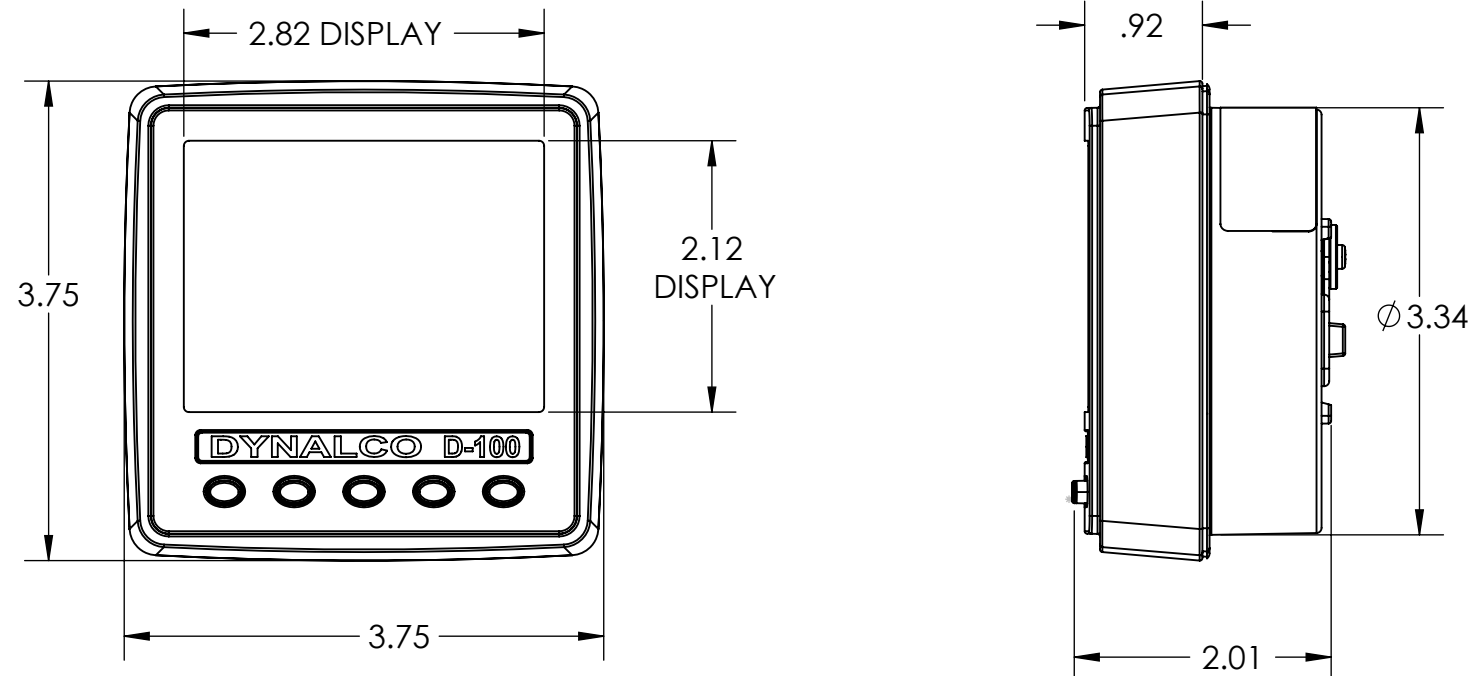


REV	ECN	REVISION RECORD	DATE	DR	CK
A	9358	INITIAL RELEASE	11/17/14	PF	BR
B	10000	ADDED PRODUCT CONFIGURATOR	03/15/16	PV	JR



- 5 WHEN ORDERING, REFER PRODUCT CONFIGURATIONS OR MANUAL.
- 4. **"HARDWARE KIT"** CAN BE ORDERED SEPARATELY AS AN ACCESSORY BY **D-100-KIT** WHICH INCLUDES STUDS, THUMBNUTS & INSTALLATION INSTRUCTIONS FOR MOUNTING OF THE CANbus UNIT EITHER BY USING BRACKET OR ON PANEL.
- 3. MATERIAL OF CONSTRUCTION:
MOUNTING BRACKET: ALUMINUM, .060 THICK
STUD & THUMB NUT: NYLON
- 2 USE STUDS & THUMB NUTS (M4 x 0.7) SUPPLIED WITH D-100 TO MOUNT CANbus MONITOR ON PANEL.
- 1. ALL DIMENSIONS ARE FOR REFERENCE ONLY.

NOTES: UNLESS OTHERWISE SPECIFIED

5 CANbus MONITOR PRODUCT CONFIGURATIONS	
Part Number	Description
D-100	CANbus Monitor + Nylon Studs & Thumbnuts
D-100-B	CANbus Monitor + Nylon Studs & Thumbnuts + Mounting Bracket
D-100-C	CANbus Monitor + Nylon Studs & Thumbnuts + Cable Harness Assembly
D-100-B-C	CANbus Monitor + Nylon Studs & Thumbnuts + Mounting Bracket + Cable Harness Assembly

UNLESS OTHERWISE SPECIFIED		THIRD ANGLE PROJECTION	
DIMENSIONS ARE IN INCHES DIMENSIONAL TOLERANCES: FRACTIONAL: ± 1/64 ANGULAR: ± 1/2° XX ± 0.010 XXX ± 0.005		DYNALCO [®]	
DATE: 11/17/2014	MODEL: D-100	DRAWN: PF	APPROVED: BR
MATERIAL: SEE NOTES	TITLE: CANbus MONITOR, OUTLINE/SALES DWG.		
FINISH:	SIZE: B	DWG. NO. 800-13080	REV: B
DO NOT SCALE DRAWING		SCALE: 1:1	WEIGHT: SHEET 1 OF 1

THIS DOCUMENT, ALL INFORMATION CONTAINED IN AND ALL INFORMATION RELATED TO, IS PROPERTY OF DYNALCO, IS CONFIDENTIAL TO IT AND NO PART THEREOF NOR ANY SUCH INFORMATION MAY BE COPIED, DISSEMINATED OR USED IN ANY MANNER WHATSOEVER WITHOUT THE PRIOR WRITTEN CONSENT OF DYNALCO AND IS TO BE RETURNED TO DYNALCO UPON REQUEST.