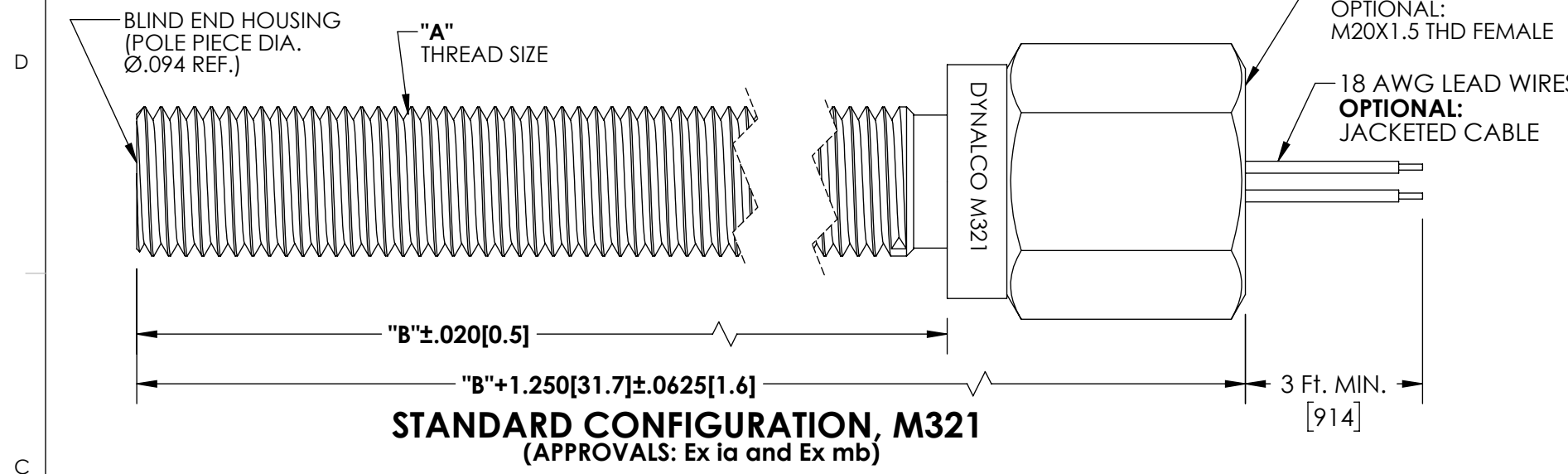


8	7	6	5	4	3	2	1
OUTPUT VOLTAGE	DC RESISTANCE AT 75 °F	INDUCTANCE AT 1 KHZ	OUTPUT LEADS	INSULATION RESISTANCE AT 500 VDC			
20-35V P-P	1670-1710 OHMS	29mH. NOM.	AWG 18 UL 1015	100 MEGOHMS MIN. COIL TO HOUSING			

REV	ECN	REVISION RECORD	DATE	DR	CK
A	11599	RELEASING PER AGENCY APPROVAL	12/18/19	PV	TT



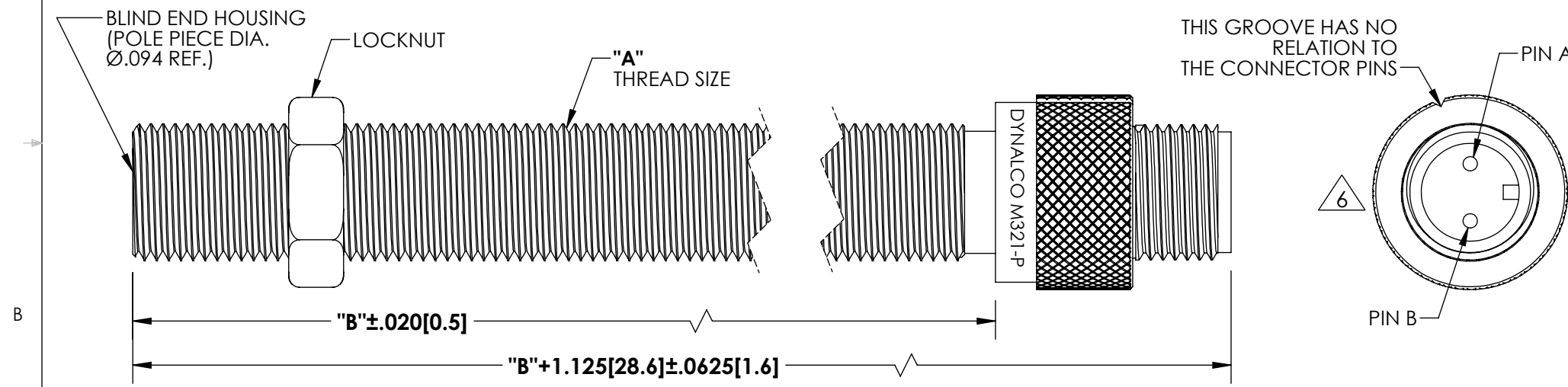
**STANDARD CONFIGURATION, M321**  
(APPROVALS: Ex ia and Ex mb)

AGENCY APPROVAL:  
ATEX/IECEX CERTIFIED

0081  
 II 1 G  
 Ex ia IIC T4 Ga  
 -40°C ≤ Tamb ≤ +80°C

II 2 G  
 Ex mb IIC T4 Gb  
 -40°C ≤ Tamb ≤ +90°C

CML 19ATEX2490X  
 IECEx CML 19.0182X



**PIN CONFIGURATION, M321-P**  
(APPROVALS: Ex ia)

**NOTES:**

- TESTED AT 1000 INCHES/SECOND WITH AN 20 PITCH, 30 TOOTH GEAR, 0.005" CLEARANCE AND 100 KOHMS.
- WITH APPROACH OF FERROUS METAL, WHITE LEAD/PIN A IS POSITIVE WITH RESPECT TO BLACK LEAD/PIN B.
- INSTRUMENT OR INSTALLATION MUST LIMIT GENERATED VOLTAGE TO 21V RMS (60 VOLTS PEAK TO PEAK) AND MAX. CURRENT TO 0.05 AMPS.
- HOUSING: 303 STAINLESS STEEL, POTTING: EPOXY RESIN
- OPTIMUM OPERATING AIR GAP: .005"[0.127] TO .025"[0.635]
- CABLE-CONNECTOR SOLD SEPARATELY FOR PIN CONFIGURATION. C101-XX (XX: 10 TO 100 FT; 10 FT INCREMENT)
- AMBIENT TEMPERATURE RANGES:  
 -40°F to +176°F (-40°C to +80°C) FOR INTRINSICALLY SAFE (Ex ia) INSTALLATIONS  
 -40°F to +194°F (-40°C to +90°C) FOR ENCAPSULATION (Ex mb) INSTALLATIONS
- DIMENSIONS ARE IN INCHES [MM]
- MARKING: WIRE OUTPUT OPTION: MARKING IS LASR ETCHED ON BODY. PIN OUTPUT OPTION: LABEL WILL BE PROVIDED WHICH MUST BE ATTACHED NEAR PICKUP INSTALLATION.
- FOR Ex mb, RATED VOLTAGE U = 28V  
 FOR Ex ia, Ui = 28V and Ii = 93mA

**PRODUCT CONFIGURATOR**

M321	-A	-L3.5	-P
∇	∇	∇	∇
BASE NUMBER	DIM "A" THREAD SIZE	DIM "B" THREAD LENGTH	ELECTRICAL CONNECTION
<b>M321</b> POLE PIECE DIAMETER: Ø.094"[2.38] Encapsulated (Ex mb); Zone 1,2 Intrinsically safe (Ex ia); Zone 0,1,2	-A: 5/8-18 UNF-2A - MIN. -B: 11/16-24 UNF-2A -C: 3/4-16 UNF-2A -D: 3/4-20 UNF-2A -E: M16 x 1.5-6g -F: M18 x 1.5-6g -G: M20 x 1.5-6g -Z: Custom thread (consult factory)	-L1.875: 1.875[47.6] (MIN.) -L3.5: 3.5[88.9] -L4.5: 4.5[114.3] -L6: 6[152.4] (MAX.) -Lxx: Custom length (consult factory. xx: in inches, and within indicated min and max lengths)	-Wxx*: 1/2" NPT Conduit Connection (18 AWG wire output) -M20-Wxx*: M20x1.5 Female Connection (18 AWG wire output) -Jxx*: 1/2" NPT Conduit Connection with 18AWG Jacketed Cable -M20-Jxx*: M20x1.5 Female Connection with 18AWG Jacketed Cable *xx: 3-100 Ft., 1 Ft increment -P: Pin-output (Only Intrinsically Safe "Ex ia" Approvals)

THIS DOCUMENT, ALL INFORMATION CONTAINED IN AND ALL INFORMATION RELATED TO, IS PROPERTY OF DYNALCO. IS CONFIDENTIAL TO IT AND NO PART THEREOF NOR ANY SUCH INFORMATION MAY BE COPIED, DISSEMINATED OR USED IN ANY MANNER WHATSOEVER WITHOUT THE PRIOR WRITTEN CONSENT OF DYNALCO AND IS TO BE RETURNED TO DYNALCO UPON REQUEST.

UNLESS OTHERWISE SPECIFIED			
DIMENSIONS ARE IN INCHES DIMENSIONAL TOLERANCES: FRACTIONAL ± 1/64 ANGULAR: ± 1/2° XX ± 0.010 XXX ± 0.005		<b>DYNALCO</b>	
MODEL: M321	DATE: 12/27/17	DRAWN: PV	APPROVED: JR
MATERIAL: -	TITLE: <b>MAGNETIC PICKUP WITH HAZARDOUS AREA APPROVAL</b>		
FINISH: -	SIZE: B	DWG. NO.: 800-0321	REV: A
DO NOT SCALE DRAWING	SCALE 1:2	WEIGHT	SHEET 1 OF 1